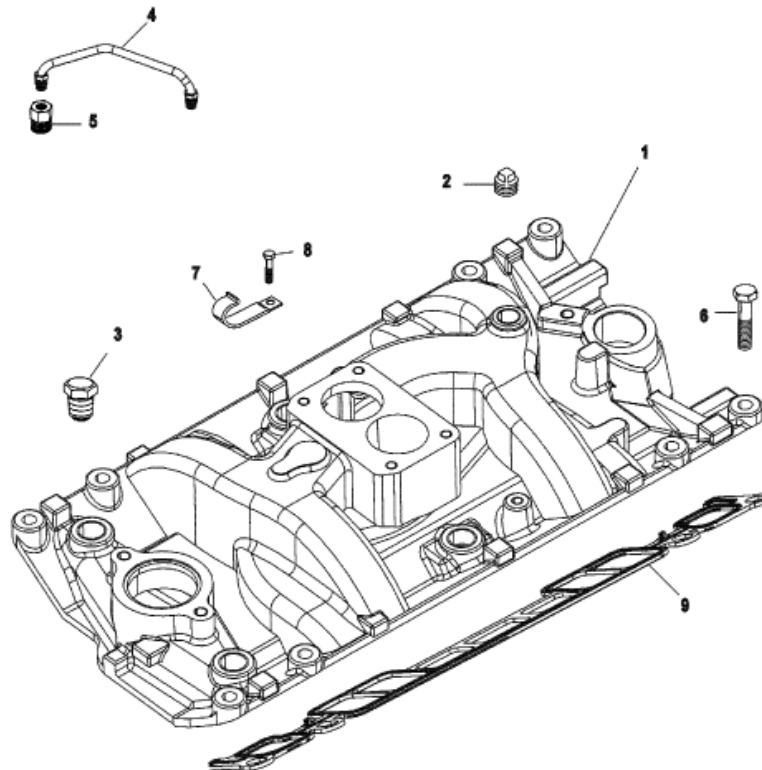


Parts List



| Ref | Class | Part | Description | Qty | Comment | Footnote |
|-----|-------|-----------|-------------------------------|-----|----------------------|----------|
| 1 | | 860100A 1 | INTAKE MANIFOLD, Lower | 1 | | |
| 2 | 22 | 37372 | PLUG, Pipe (.500) | 3 | | |
| 3 | 22 | 48358 | PLUG, (.375) | 1 | | |
| 4 | 32 | 861213 | TUBE | 1 | SN# 0M669513 & Below | |
| 4 | 32 | 865100 | TUBE | 1 | SN# 0M669514 & Up | |
| 5 | 22 | 805563 | CONNECTOR, (.500 Inch NPTF Tc | 1 | | |
| 6 | 10 | 808010 | SCREW, (.3125 X 1.375) | 8 | | |
| 7 | 54 | 73668 | J-CLIP | 1 | | |
| 8 | 10 | 86750 | SCREW, (.312-18 x .620) | 1 | | |
| 9 | 27 | 807473A 1 | GASKET SET | 1 | | 2 |
| - | 27 | 861246A98 | GASKET SET, Engine Overhaul | 1 | | |